

N0519101

TAGGING: G. D. NO. HUMPS8357  
ITEM NO. 001  
MARKS: COFFMAN UNION

NAMEPLATE MATERIAL = 0.031 ALUMINUM



Cutler-Hammer

SER. NO.   
NEMA CLASS AA DRY TYPE TRANSFORMER



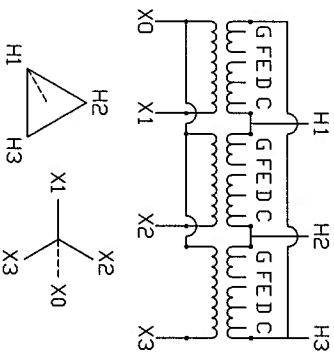
DS05191001  
DS05191002  
DS05192001

KVA... 1500/2000  
HV... 13800  
KV BIL. 95HV/10LV  
LV... 480Y/277  
LV AMP. 1804/2406

CLASS. AA/FA  
TYPE... VPI  
PHASE... 3  
IMP...  
HZ... 60

TEMP. RISE... 115°C/115°C  
CONDUCTOR... AL/AL  
SPECS. # HUMPS8357

VOLTS	AMPERES	CONN. TAP ON EACH COIL
14490	AA 59.8	FA 79.7
14145	61.2	D-F 81.6
13800	62.8	E-G 83.7
13455	64.4	D-G 85.8
13110	66.1	C-G 88.1



NOTES:  
Manufactured by ABB in Bland, VA.

DY01A1AV

DE-ENERGIZE TRANSFORMER BEFORE CHANGING TAPS  
DATE -  
APPROX. WT. (LBS/KG)  
C&C 9500/4309  
TOTAL 11400/5171  
INST. BOOK IBXFI-00

CUSTOMER NOTE: NAMEPLATE DRAWING IS FOR YOUR INFORMATION AND REVIEW. THE IMPEDANCE IS LEFT BLANK SINCE THE DRAWING IS SUBMITTED PRIOR TO MANUFACTURING. THE ACTUAL TESTED VALUE IS ENGRAVED ON THE METAL NAMEPLATE AT THE TIME OF SHIPMENT. THIS DRAWING IS NOT SUBSEQUENTLY REVISED TO ADD THE TESTED VALUE.

CUTLER-HAMMER UNIT SUBSTATION TRANSFORMER



Cutler-Hammer

BY LPW 8/17/2001  
CK/AP SDH 8/17/2001

DWG. NO. N0519101  
TITLE: NAMEPLATE  
SIZE B SCALE \* SHT. 1 CONT'D ON \*

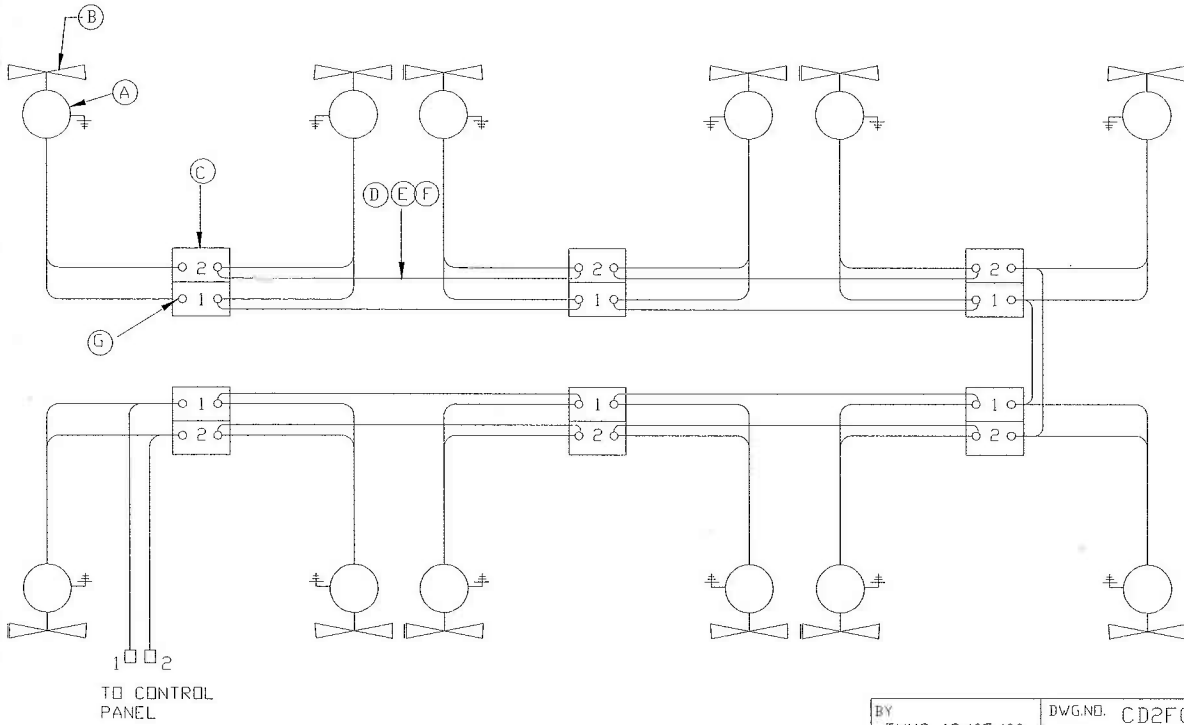
REV 0  
SDH 8/17/2001





CD2F0009

PC	PART #	QTY	DESCRIPTION
(A)	MTRF024000	12	FAN MOTOR (208-240V, 0.8A, 50/60HZ, 1/20HP)
(B)	BLDF001300	12	FAN BLADE
(C)	TBKF000400	6	TERMINAL BLOCK (2 POLE)
(D)	CBLF009800	1	#12 AWG WIRE
(E)	WRMF000500	1	SLEEVE TYPE WIRE MARKERS
(F)	LDGF001200	1	PIVOT TONGUE LUGS
(G)	LUGF000000	1	PING TONGUE LUGS



BY	THMC 12/05/00	DWG. NO.	CD2F0009	REV	02
CK		TITLE	FAN ASSEMBLY		
SCHD	12/05/00	SIZE	B	SCALE	NA
		SHT	1	CONT'D	ON

01/CHG PC A DESC REV: 02 CHG TO #12AWG  
 FROM #30 TO #240 DPT 0723/04 CK LPW  
 LPV 10/23/03 CK DPM

CD23V001

01-FAN EXERCISER  
DISABLED

02-FAN EXERCISER  
ENABLED

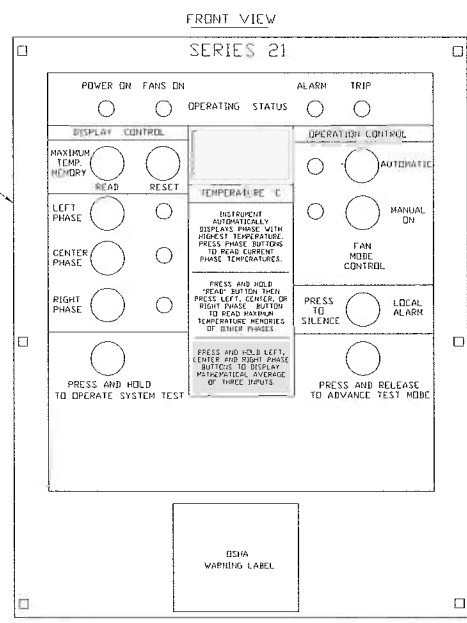
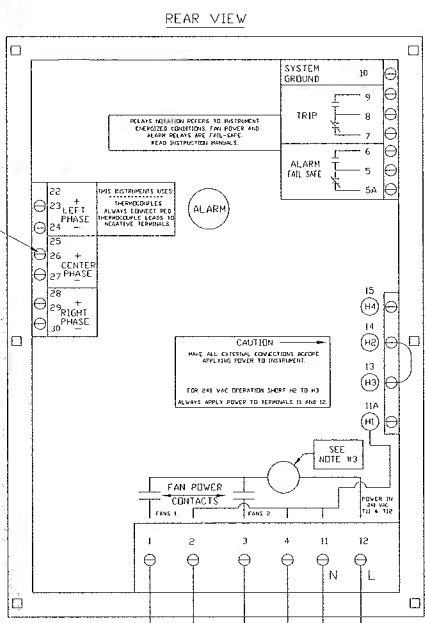
PC	PART #	QTY	DESCRIPTION
(A)	MATERIAL: WTIF013000	1	PH. ELEC. HINGED TEMP. MONITOR
(B)	MATERIAL: TCWF009500	40	PMDC DOUBLE WIRE
(C)	MATERIAL: LUGF001200	1	RING DNGUE LUGS
(D)	MATERIAL: CBLF009800	1	#12 AWG SIS WIRE

- NOTES:
- 1) THREE PHASE ELECTRONIC TEMP. MONITOR (E.T.M. CONTACT POSITIONS SHOWN ARE WITH THE E.T.M. ENERGIZED).
  - 2) MAXIMUM TEMPERATURE MEMORY RETAINED DURING LOSS OF POWER FOR 30 DAYS.
  - 3) 25 AMP SLOW BLOW FUSE PROVIDED FOR FAN CIRCUIT
  - 4) AUDIBLE ALARM PROVIDED (90dB @ 1 FT.)
  - 5) ITEM 02 PROVIDED WITH FAN EXERCISER SET TO ACTIVATE FOR 5 MINUTES EVERY 7 DAYS. DE-ENERGIZE FAN CIRCUIT BEFORE PERFORMING MAINTENANCE
  - 6) CONTACTS ARE ACTIVATED AT THE FOLLOWING SWITCH SETTINGS:

RISE	FAN CKT.	ALARM CKT.	TRIP CKT.
80°C	120°C	200°C	210°C
115°C	155°C	200°C	210°C
150°C	190°C	200°C	210°C

FAN POWER RELAYS  
FORM A CONTACTS  
TOTAL CAPACITY FOR EACH SET OF OUTPUT TERMINALS  
30 AMPS AT 240 VAC  
2 HP TOTAL AT 240 VAC

ALARM AND TRIP RELAYS  
AC RATINGS  
ONE HORSEPOWER AT 120 VAC  
TWO HORSEPOWER AT 240 VAC  
20 AMPS NORMALLY OPEN  
10 AMPS NORMALLY CLOSED  
DC RATING  
(WITH RESISTIVE LOAD)  
NORMALLY OPEN 20 AMPS AT 28 VDC  
NORMALLY CLOSED 10 AMPS AT 28 VDC



BY JES 04/14/97	DWG NO. CD23V001	02
CK VEP 04/15/97	TITLE: TEMPERATURE MONITOR	REV
AP RBH 04/15/97	SIZE C SCALE NA SHT. 1 CONT'D EN	

07/20/97 3:00 PM  
 10/20/97 7:00 AM  
 REV: 02 CHG TO #12AWG  
 DPT 07/21/04 CK LPV